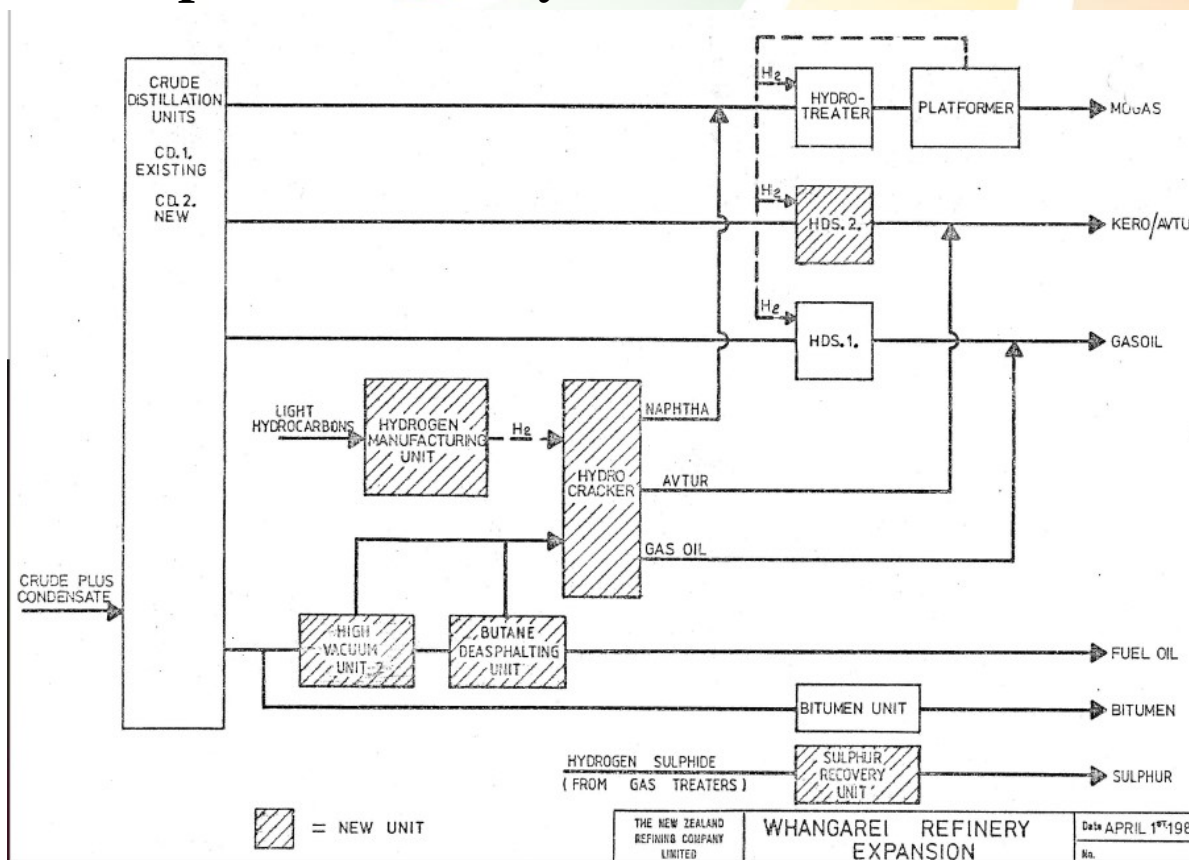




19800401 NZ Refining Co Simplified Flow Scheme of Expanded Refinery



Brian Arndt: this Whangarei Refinery Expansion flow chart appears to have been published along with *198004 NZ Refining Co Air Polluting Chemicals (Pb in petrol) in Present & Expanded Refinery*, in April 1980. See the article above titled "The Lead Content of Petrol/Gasoline in New Zealand 1965-1975"